

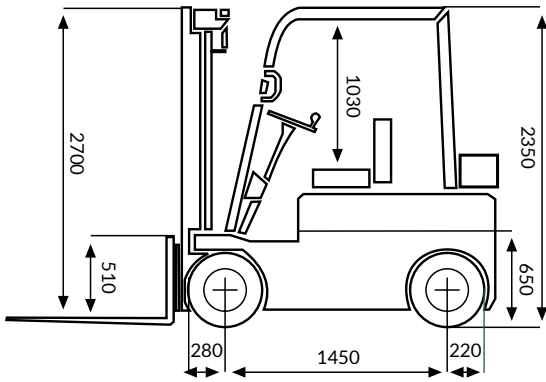


YOU WILL NOT ONLY FEEL THE DIFFERENCE BUT SEE THE RESULTS!

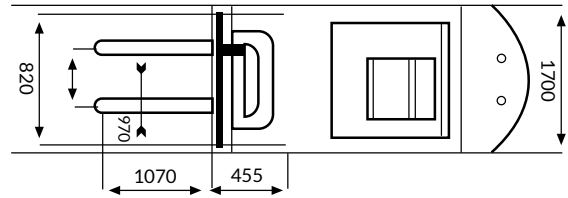
1-1.8 TON DIESEL FORKLIFT PERFORMANCE PARAMETER

Model			Unit	CPCD10	CPCD15	CPCD18
Rated Capacity			kg	1000	1500	1800
Load Center			mm	500	500	500
Operator Type				SEATED	SEATED	SEATED
Lift height			mm	3000	3000	3000
Free Lift			mm	155	155	155
Tilt angle (Front/Rear)				6° / 12°	6° / 12°	6° / 12°
Overhead Length			mm	2171	2231	2274
Overhead Width			mm	1070	1070	1070
Overhead height fork lowered (Up Right)			mm	1995	1995	1995
Overhead height (Inside of forks)			mm	4030	4030	4030
Overhead height			mm	2070	2070	2070
Outside Turning Radius			mm	1880	1955	1985
Overhang (front)			mm	421	421	424
Minimum Intersecting aisle			mm	1690	1770	1790
Speed	Max. Driving Speed	With Load	km/h	13,5	13,5	13,5
		Without Load	km/h	14,5	14,5	14,5
	Lifting	With Load	mm/s	590	590	590
		Without Load	mm/s	650	650	650
	Lowering	With Load	mm/s	450	450	450
		Without Load	mm/s	550	550	550
Max. Drawbar Pull		With Load/Without Load	kN	18.5/8.9	18.5/8.9	18.5/8.9
Max. Gradeability (Loaded)		With Load/Without Load	% (fan)	22/31	22/31	22/31
Weight			kg	2220	2660	2890
Tyre	Specifications	Front	mm	6.50 - 10 - 10PR	6.50 - 10 - 10PR	6.50 - 10 - 10PR
		Back	mm	5.00 - 8 - 10PR	5.00 - 8 - 10PR	5.00 - 8 - 10PR
Wheelbase			mm	1400	1400	1400
Tread	Front		mm	890	890	920
	Back		mm	920	920	920
Turning Radius	Low-water mark (mast)		mm	110	110	110
	Frame		mm	115	115	115
Service Brake				Hydraulic Pedal	Hydraulic Pedal	Hydraulic Pedal
				Mechanical Hand	Mechanical Hand	Mechanical Hand
Battery	Voltage/Capacity		V/AH	12 / 100 / 20h	12 / 100 / 20h	12 / 100 / 20h
Engine	Model			XCA 485 BPG	XCA 485 BPG	XCA 485 BPG
	Rated Output		kw/rpm	30/ 2600	30/ 2600	30/ 2600
	Torque		Nm/rpm	131/1700	131/1700	131/1700
	Number of Cylinders			4	4	4
Tank Capacity			L	40	40	50
Transmission		Type		Power-Shift/Manual	Power-Shift/Manual	Power-Shift/Manual
Number of Speeds				1 / 2	1 / 2	1 / 2

CPCD18

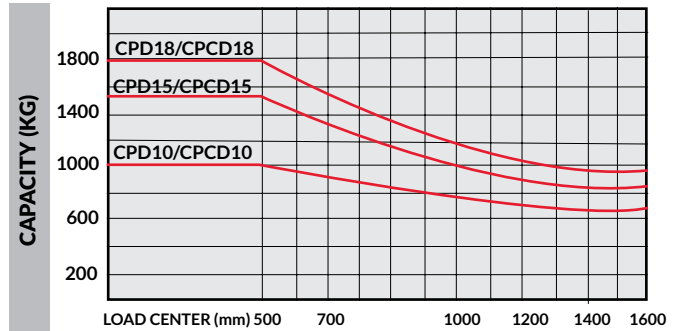


SIDE VIEW



VERTICAL VIEW

LOAD CURVE



- Variety of robust, high view masts. Duplex full free, and Triplex Masts available upon request
- Integrated heavy-duty low (2070mm) overhead guard for restricted height access
- Perfect rear light design and high luminance lamps suited for night work
- Cascade side-shift standard on all models
- Comfortable ergonomically designed seat. Designed to allow freedom of movement and minimize fatigue.
- * Seat belts are provided on all forklifts
- Fork sizes ranging from 920mm to 2400mm
- Excellent rear visibility
- Robust counter-weight
- 100% Full hydraulic power steering, plus steering knob to prevent accidental steering slippage
- Engine hood with easily accessible service and inspection regions
- Pneumatic and solid tyre options available
- Accessible fuel tank, fuel efficient diesel and petrol models

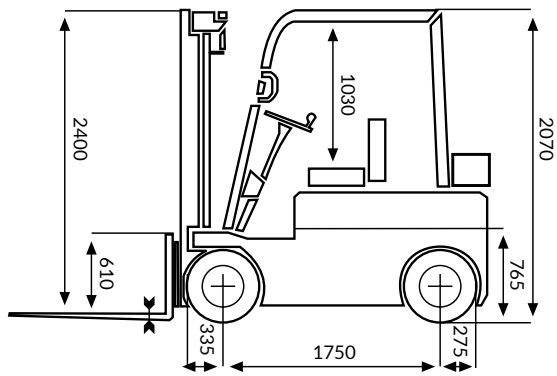


YOU WILL NOT ONLY FEEL THE DIFFERENCE BUT SEE THE RESULTS !

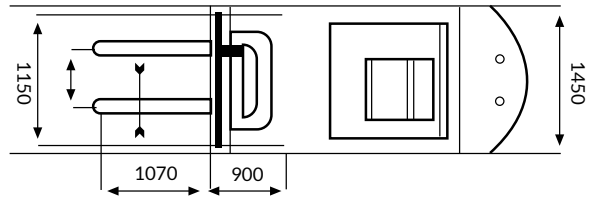
2-3.5 TON DIESEL FORKLIFT PERFORMANCE PARAMETER

Model			Unit	CPCD20	CPCD25	CPCD30	CPCD35
Rated Capacity			kg	2000	2500	3000	3000
Load Center			mm	500	500	500	500
Operator Type				SEATED	SEATED	SEATED	SEATED
Lift height			mm	3000	3000	3000	3000
Free Lift			mm	240	240	175	240
Tilt angle (Front/Rear)				6° / 12°	6° / 12°	6° / 12°	6° / 12°
Overhead Length			mm	2505	2580	2680	2745
Overhead Width			mm	1150	1150	1150	1150
Overhead height fork lowered (Up Right)			mm	2065	2065	2065	2065
Overhead height (Inside of forks)			mm	4030	4030	4030	4030
Overhead height			mm	2070	2070	2070	2070
Outside Turning Radius			mm	2170	2230	2420	2420
Overhang (front)			mm	485	485	498	498
Minimum Intersecting aisle			mm	1920	2000	2120	2120
Speed	Max. Driving Speed	With Load	km/h	19,5	19,5	19,5	19,5
		Without Load	km/h	20	20	20	20
	Lifting	With Load	mm/s	500	500	470	500
		Without Load	mm/s	530	530	520	530
	Lowering	With Load	mm/s	550	550	550	550
		Without Load	mm/s	540	540	520	540
Max. Drawbar Pull		With Load/Without Load	kN	11.5/9.1	11.2/8.6	11.2/10.2	15/8.6
Max. Gradeability (Loaded)		With Load/Without Load	% (fan)	22/20	18/20	15/18	20/20
Weight			kg	3400	3650	4410	4790
Tyre	Specifications	Front	mm	7.00 - 12 - 12PR	7.00 - 12 - 12PR	28x9 - 15 - 12PR	28x9 - 15 - 12PR
		Back	mm	6.00 - 9 - 10PR	6.00 - 9 - 10PR	6.50 - 10 - 10PR	6.50 - 10 - 10PR
Wheelbase			mm	1600	1600	1700	1700
Tread	Front		mm	970	1000	1000	1000
	Back		mm	970	970	970	970
Turning Radius	Low-water mark (mast)		mm	110	110	110	110
	Frame		mm	115	115	115	115
Service Brake				Hydraulic Pedal	Hydraulic Pedal	Hydraulic Pedal	Hydraulic Pedal
				Mechanical Hand	Mechanical Hand	Mechanical Hand	Mechanical Hand
Battery	Voltage/Capacity		V/AH	12 / 100 / 20h	12 / 100 / 20h	12 / 100 / 20h	12 / 100 / 20h
Engine	Model				XCA 490 BPG	XCA 490 BPG	XCA 490 BPG
	Rated Output			kw/rpm	37 / 2650	37 / 2650	37 / 2650
	Torque			Nm/rpm	148 / 2000	148 / 2000	148 / 2000
	Number of Cylinders				4	4	4
Tank Capacity			L	50	50	50	50
Transmission		Type		Power-Shift/ Manual	Power-Shift/ Manual	Power-Shift/ Manual	Power-Shift/ Manual
Number of Speeds				1 / 2	1 / 2	1 / 2	1 / 2

CPCD30

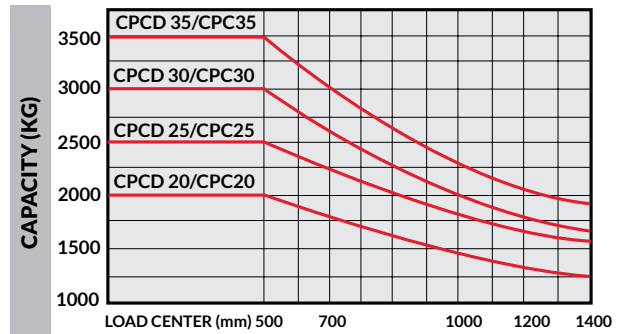


SIDE VIEW



VERTICAL VIEW

LOAD CURVE



CPCD20



CPCD35

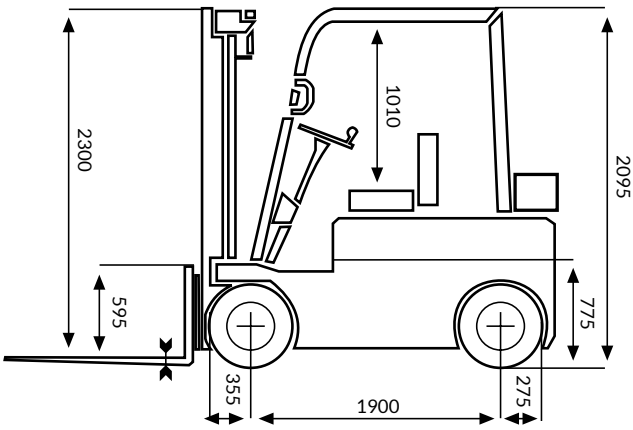


YOU WILL NOT ONLY FEEL THE DIFFERENCE BUT SEE THE RESULTS !

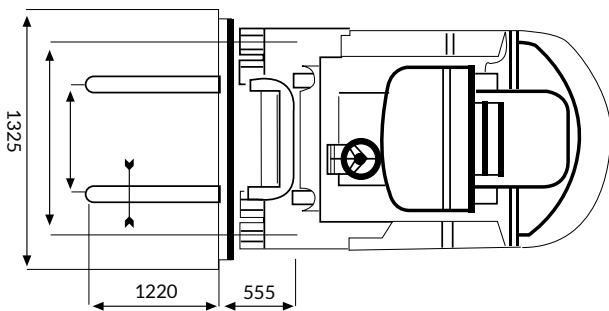
4-4.5 TON DIESEL FORKLIFT PERFORMANCE PARAMETER

Model			Unit	CPCD40	CPCD45
Rated Capacity			kg	4000	4500
Load Center			mm	500	500
Operator Type				SEATED	SEATED
Lift height			mm	3000	3000
Free Lift			mm	150	150
Tilt angle (Front/Rear)				6° / 12°	6° / 12°
Overhead Length			mm	2880	2900
Overhead Width			mm	1410	1480
Overhead height fork lowered (Up Right)			mm	2010	2230
Overhead height (Inside of forks)			mm	3795	4200
Overhead height			mm	2085	2300
Outside Turning Radius			mm	2700	2750
Overhang (front)			mm	500	545
Minimum Intersecting aisle			mm	3465	3465
Speed	Max. Driving Speed	With Load	km/h	19.5	21
		Without Load	km/h	20	19
	Lifting	With Load	mm/s	470	340
		Without Load	mm/s	520	350
	Lowering	With Load	mm/s	550	530
		Without Load	mm/s	520	500
Max. Drawbar Pull		With Load/Without Load	kN	>21	>21
Max. Gradeability (Loaded)		With Load/Without Load	% (fan)	16/20	18/20
Weight			kg	5280	6550
Tyre	Specifications	Front	mm	6.50 - 10 - 10PR	6.50 - 10 - 10PR
		Back	mm	5.00 - 8 - 10PR	5.00 - 8 - 10PR
Wheelbase			mm	1900	2000
Tread		Front	mm	1160	2180
		Back	mm	1065	1190
Turning Radius		Low-water mark (mast)	mm	2700	2750
		Frame	mm		
Service Brake				Hydraulic Pedal	Hydraulic Pedal
				Mechanical Hand	Mechanical Hand
Battery	Voltage/Capacity		V/AH	12 / 100 / 20h	12 / 100 / 20h
Engine	Model			CA498	LR4113
	Rated Output		kw/rpm	45/ 2500	59/2400
	Torque		Nm/rpm	193/1800	285/1600
	Number of Cylinders			4	4
Tank Capacity			L	75	75
Transmission		Type		Power-Shift/ Manual	Power-Shift/ Manual
Number of Speeds				1/ 1	2/1

CPCD40

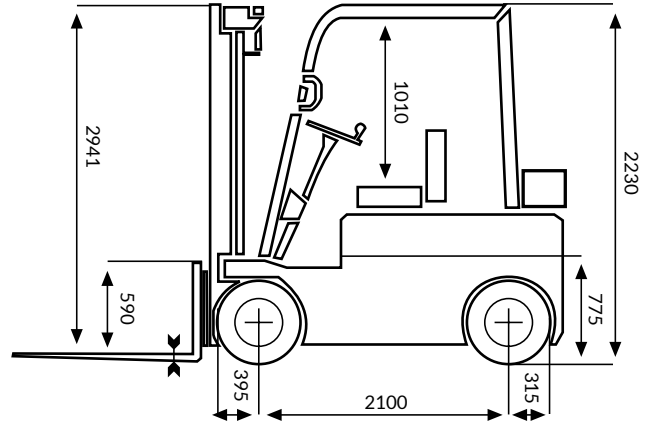


SIDE VIEW

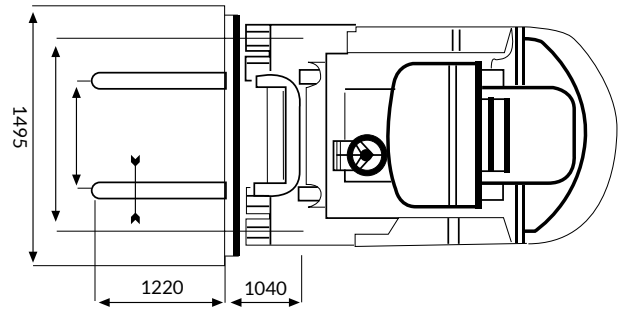


VERTICAL VIEW

CPCD45

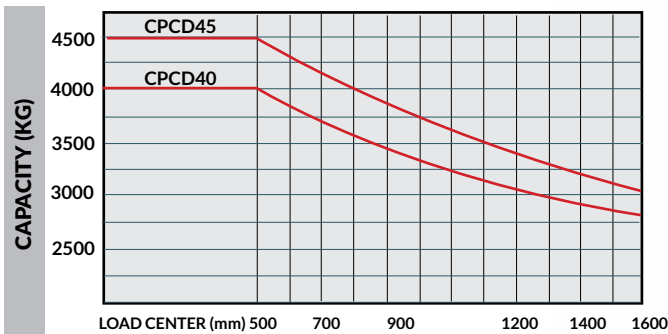


SIDE VIEW



VERTICAL VIEW

LOAD CURVE



CPCD40



CPCD45

YOU WILL NOT ONLY FEEL THE DIFFERENCE BUT SEE THE RESULTS!

5-10 TON DIESEL FORKLIFT PERFORMANCE PARAMETER

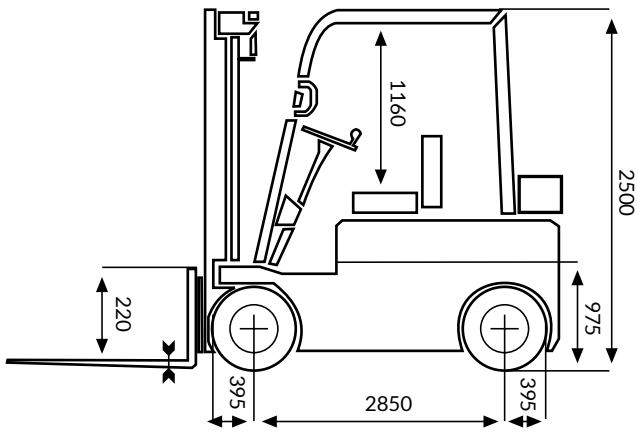
Model			Unit	CPCD50	CPCD60	CPCD70	CPCD80	CPCD100
Rated Capacity			kg	5000	6000	7000	8000	10000
Load Center			mm	600	600	600	600	600
Operator Type				SEATED	SEATED	SEATED	SEATED	SEATED
Lift height			mm	3000	3000	3000	3000	3000
Free Lift			mm	190	160	205	210	210
Tilt angle (Front/Rear)				6° / 12°	6° / 12°	6° / 12°	6° / 12°	6° / 12°
Overhead Length			mm	3440	3573	3573	4230	4230
Overhead Width			mm	1990	1990	1990	2240	2240
Overhead height fork lowered (Up Right)			mm	2500	2500	2500	2500	2500
Overhead height (Inside of forks)			mm	4420	4420	4420	4420	4420
Overhead height			mm	2450	2450	2450	2450	2585
Outside Turning Radius			mm	3250	3370	3370	3400	3900
Overhang (front)			mm	590	590	590	718	718
Minimum Intersecting aisle			mm	2960	3000	3040	3540	3540
Speed	Max. Driving Speed	With Load	km/h	26	26	26	26	26
		Without Load	km/h	28	28	28	28	28
	Lifting	With Load	mm/s	545	395	325	310	310
		Without Load	mm/s	560	410	350	330	340
	Lowering	With Load	mm/s	600	600	650	650	650
		Without Load	mm/s	640	640	700	700	700
Max. Drawbar Pull		With Load	kN	65	60	60	57	57
Max. Gradeability (Loaded)		With Load	%(fan)	32	32	28	21.2	21.2
Weight			kg	8160	9010	9410	10960	13360
Tyre	Specifications	Front	mm	8.25-15	8.25-15	8.25-15	8.25-15	9.00-20
		Back	mm	8.25-15	8.25-15	8.25-15	8.25-15	9.00-20
Wheelbase			mm	2250	2250	2250	2800	2800
Tread		Front	mm	1470	1470	1470	1600	1600
		Back	mm	1700	1700	1700	1700	1700
Turning Radius			mm	195	200	200	245	245
Service Brake				HP	HP	HP	HP	HP
				MH	MH	MH	MH	MH
Battery	Voltage/Capacity		V/AH	24/160	24/160	24/160	24/160	24/160
Engine	Model (CA6110/125G2)			CA6110	CA6110	CA6110	CA6110	CA6110
	Rated Output		kw/rpm	80.9/2500	80.9/2500	80.9/2500	80.9/2500	80.9/2500
	Torque		Nm/rpm	432/1400	432/1400	432/1400	432/1400	432/1400
	Number of Cylinders			6	6	6	6	6
Tank Capacity			L	144	144	144	144	144
Transmission		Type		AT	AT	AT	AT	AT
Number of Speeds				2/2	2/2	2/2	2/2	2/2

* HP - Hydraulic Pedal

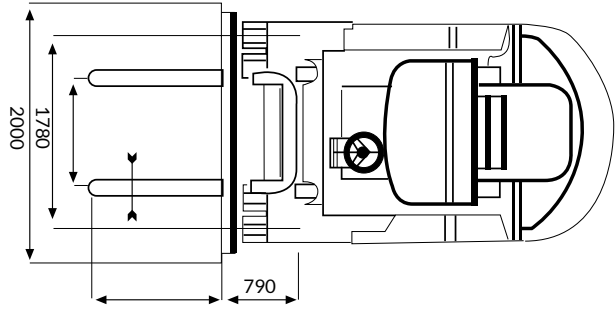
** MH - Mechanical Hand

*** PS/M - Power-Shift/Manual

CPCD60

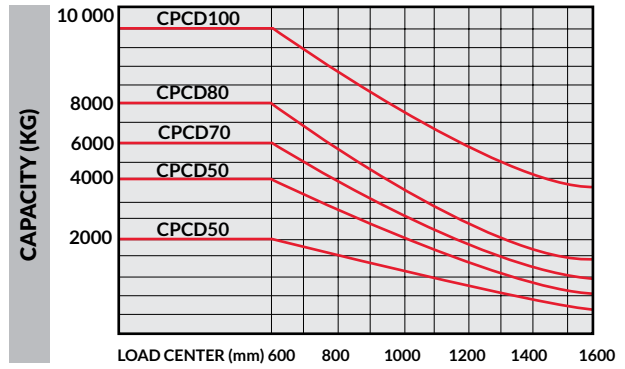


SIDE VIEW



VERTICAL VIEW

LOAD CURVE



CPCD50



CPCD70



CPCD60



CPCD80

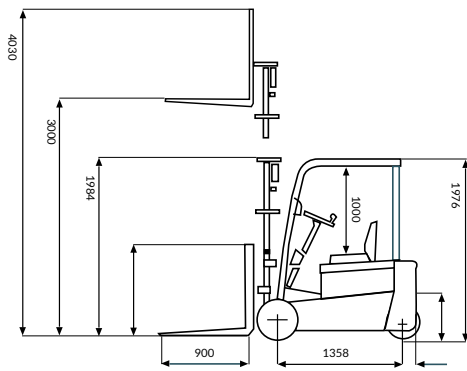


CPCD100

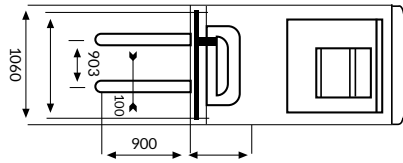
YOU WILL NOT ONLY FEEL THE DIFFERENCE BUT SEE THE RESULTS!

1-2 TON ELECTRIC THREE WHEELER FORKLIFT PERFORMANCE PARAMETER

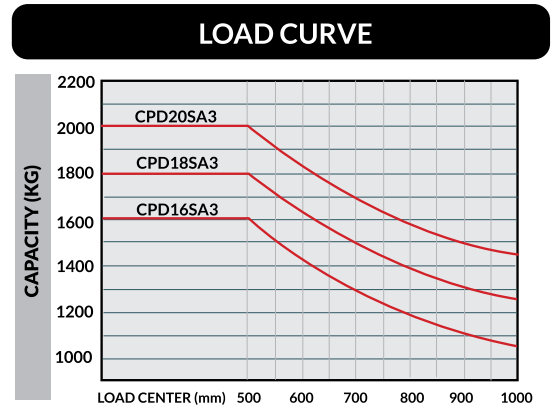
Model			CPD10SA-10	CPD20SA-10	CPD20SA-16	CPD20SA-18	CPD20SA-20
Drive			Rear Wheel Drive	Rear Wheel Drive	Dual Front Drive Wheel	Dual Front Drive Wheel	Dual Front Drive Wheel
Operation type			SEATED	SEATED	SEATED	SEATED	SEATED
Load capacity/rated load		Q(kg)	1000	1000	1600	1800	2000
Load centre distance		c(mm)	500	500	500	500	500
Load distance, centre of drive axle to fork		x(mm)	284	284	358	358	358
Wheelbase		y(mm)	1080	1080	1362	1362	1465
Service weight (with battery)		kg	2180	2180	3220	3280	3450
Axle loading, laden front/rear		kg	2700/480	2700/480	3955/865	4166/914	4469/981
Axle loading, unladen front/rear		kg	720/1460	720/1460	1425/1795	1455/1826	1625/1997
Tyres: solid rubber, super elastic, pneumatic, polyurethane		tyres	solid rubber solid tyres	super elastic solid tyres	super elastic solid tyres	super elastic solid tyres	super elastic solid tyres
Tyre size	Front		16x6x10.5	16x6x10	18x7-8	200/50-10	200/50-10
	Rear		280x100/PU	280x100/PU	15x4 -8	15x4 -8	140/55-9
Wheels, number front rear(x=driven wheels)		b10(mm)	2/1x	2/1x	2x/2	2x/2	2x/2
Tread	Front	b11(mm)	892	892	920	937	937
	Rear	°	0	0	165	165	188
Tilt of mast/fork carriage forward/backward		h1(mm)	3° / 6°	6° / 12°	6° / 12°	6° / 12°	6° / 12°
Height, mast lowered		h2(mm)	2126	2126-2476	2000-2595	2000-2595	2000-2595
Free lift		h3(mm)	option	option	option	option	option
Lift		h4(mm)	3000	3000-5000	3000-6000	3000-6000	3000-6000
Height, mast extended		h5(mm)	3617-5617	3617-5617	4050-7050	4050-7050	4050-7050
Height of overhead guard(cabin)		h6(mm)	1965	1965	2005	2005	2005
Seat height/stand height		h7(mm)	850	850	938	938	938
Coupling height		h10(mm)	480	480	560	560	560
Overall length		l1(mm)	2495	2495	2880	3000	3100
Length to face of forks		l2(mm)	1575	1575	1930	1930	2030
Overall width		b1(mm)	1012	1012	1070	1130	1130
Fork dimensions		s/e/l(mm)	35/100/920	35/100/950	35/100/950	40/100/1070	40/120/1070
Fork carriage DIN 15173,class/type A,B			A	2A	2A	2A	2A
Fork-carriage width		b3(mm)	900	900	1088	1088	1088
Ground clearance,laden,below mast		m1(mm)	100	100	90	90	90
Ground clearance,centre of wheelbase		m2(mm)	85	85	100	100	100
Aisle width for pallets 1000x1200 crossways		Ast(mm)	3150	3150	3120	3120	3200
Aisle width for pallets 800x1200 lengthways		Ast(mm)	3250	3250	3220	3220	3300
Turning radius		Wa(mm)	1290	1290	1552	1552	1652
Travel speed, laden/unladen		km/h	6.2/6.5	6.5/6.5	14/14	14/14	13/13
Lift speed, laden/unladen		m/s	0.12/0.15	0.15/0.18	0.29/0.45	0.27/0.42	0.25/0.42
Lowering speed, laden/unladen		m/s	0.16/0.6	0.2/0.4	0.45/0.43	0.45/0.43	0.45/0.43
Max.gradeability, laden/unladen		%	10/15	10/15	20(20)/15(20)	15(20)/20(20)	15(20)/20(20)
Battery voltage, nominal capacity K5		V/Ah	24/400	24/400	48/420(490)	48/490(560)	48/560(640)
Battery weight		kg	330	330	720	760	800
Sound level at the driver's ear acc. to DIN 12053		dB(A)	68	68	68	68	68



SIDE VIEW



VERTICAL VIEW



Advantages:

- Driving axle manufactured in Germany.
- CURTIS (AC) control system with sensitive reaction.
- AC driving motor features compact construction, high performance and regenerative braking.
- Multifunction liquid crystal instrument - displays fault codes, battery status and forklift running information.
- High running and loading speed with class-leading gradeability

	Unload	Load
Running speed	15km/h	14km/h
Lifting speed	450mm/s	290mm/s
Gradeability	20%	15%

- Three running modes: low speed, moderate speed and high speed.
- Wet disk braking system enables forklift to brake sturdily, ensures high durability and safety.
- Lateral turning radius is only 1552mm and minimum right angle stacking aisle is only 3220mm.

Ergonomics:

- 2 - Step pedal allows easy access to the cabinet.
- Adjustable steering wheel and seat - the driver can adjust the position according to his/her requirements.
- Integrated light switch and steering signal rod.
- ABS instrument board - durable and beautiful.
- The design of the controlling lever position reduces driver fatigue.
- Better anterior vision - the instruments are on the right side of the driving-box ensuring safe operation.
- Emergency power cut-off plug - the plug is located on the left side of the driver's seat making it easy to emergency stop.

Convenient maintenance:

- Easily maintained controller and steering potentiometer.
- Maintenance free wet disk brake - different from traditional drum braking system requiring oil change only thereby reducing maintenance cost.
- Lifting and driving AC motors without carbon brush almost has no need for maintenance. Adopts an external encoder, so the maintenance and service is more convenient.
- Over discharge protecting system - when the battery discharges 80%, the instrument warning light illuminates. The running and lifting speed will decrease to preserve the battery's using time.
- Self-checking system - with the fault code displayed on the instrument panel, it is very easy to control operation and find out the cause.

Braking oil cup is installed on the instrument panel, to check and add braking oil conveniently.

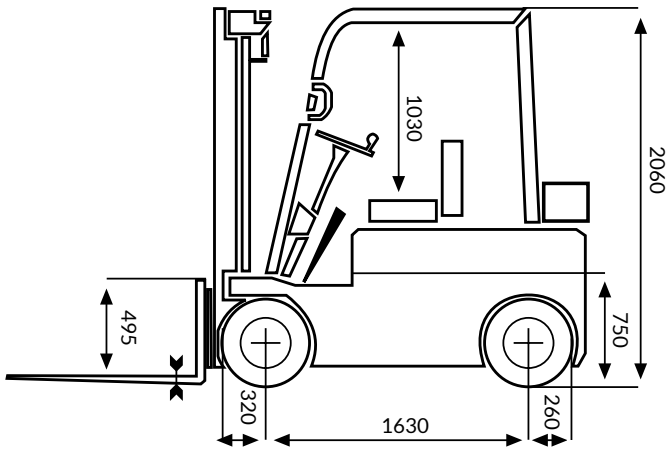


YOU WILL NOT ONLY FEEL THE DIFFERENCE BUT SEE THE RESULTS!

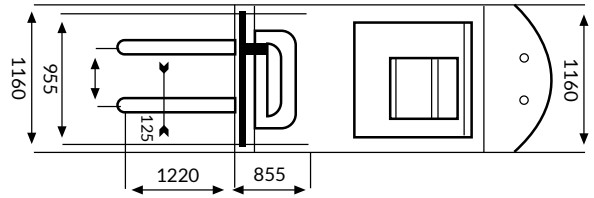
2-3.5 TON LPG FORKLIFT PERFORMANCE PARAMETER

Model			Unit	CPQY20	CPQY25	CPQY30	CPQY35
Rated Capacity			kg	2000	2500	3000	3000
Load Center			mm	500	500	500	500
Operator Type				SEATED	SEATED	SEATED	SEATED
Lift height			mm	3000	3000	3000	3000
Free Lift			mm	240	240	175	240
Tilt angle (Front/Rear)				6° / 12°	6° / 12°	6° / 12°	6° / 12°
Overhead Length			mm	2505	2580	2680	2745
Overhead Width			mm	1150	1150	1150	1150
Overhead height fork lowered (Up Right)			mm	1995	1995	2065	2065
Overhead height (Inside of forks)			mm	4030	4030	4030	4030
Overhead height			mm	2070	2070	2070	2070
Outside Turning Radius			mm	2170	2230	2420	2420
Overhang (front)			mm	485	485	498	498
Minimum Intersecting aisle			mm	1920	2000	2120	2120
Speed	Max. Driving Speed	With Load	km/h	19,5	19,5	19,5	19,5
		Without Load	km/h	20	20	20	20
	Lifting	With Load	mm/s	500	500	470	500
		Without Load	mm/s	530	530	520	530
	Lowering	With Load	mm/s	550	550	550	550
		Without Load	mm/s	540	540	520	540
Max. Drawbar Pull		With Load/Without Load	kN	11.5/9.1	11.2/8.6	11.2/10.2	15/8.6
Max. Gradeability (Loaded)		With Load/Without Load	% (fan)	20	18	15	20
Weight			kg	3400	3650	4410	4790
Tyre	Specifications	Front	mm	7.00 - 12 - 12PR	7.00 - 12 - 12PR	28x9 - 15 - 12PR	28x9 - 15 - 12PR
		Back	mm	6.00 - 9 - 10PR	6.00 - 9 - 10PR	6.50 - 10 - 10PR	6.50 - 10 - 10PR
Wheelbase			mm	1600	1600	1700	1700
Tread		Front	mm	970	1000	1000	1000
		Back	mm	970	970	970	970
Turning Radius		Low-water mark (mast)	mm	110	110	110	110
		Frame	mm	115	115	115	115
Service Brake				HP	HP	HP	HP
				MH	MH	MH	MH
Battery	Voltage/Capacity		V/AH	12 / 100 / 20h	12 / 100 / 20h	12 / 100 / 20h	12 / 100 / 20h
Engine	Model			WF491	WF491	WF491	WF491
	Rated Output		kw/rpm	37 / 2500	37 / 2500	37 / 2500	42/2650
	Torque		Nm/rpm	148 / 1300	148 / 1300	148 / 1300	174/2000
	Number of Cylinders			4	4	4	4
	Tank Capacity		L	52	52	52	52
Transmission		Type		PS/M	PS/M	PS/M	PS/M
Number of Speeds				1 / 2	1 / 2	1 / 2	1 / 2

CPQY25

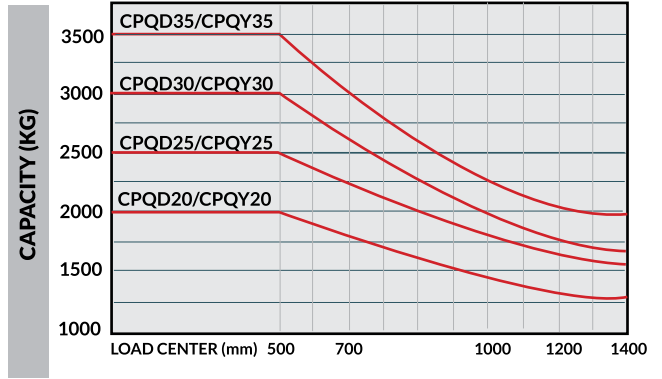


SIDE VIEW



VERTICAL VIEW

LOAD CURVE



CPQY25



CPQY20

CPQY30

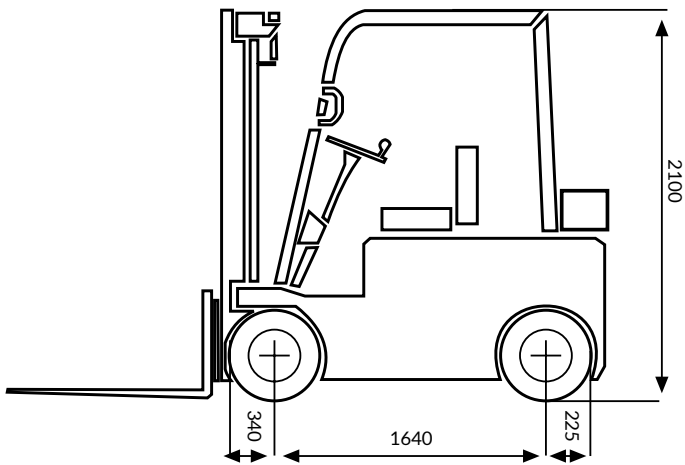
CPQY35

YOU WILL NOT ONLY FEEL THE DIFFERENCE BUT SEE THE RESULTS!

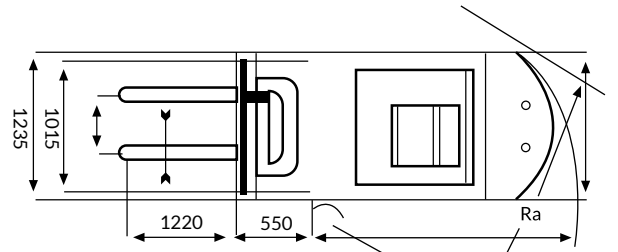
1-3.5 TON ELECTRIC FORKLIFT PERFORMANCE PARAMETER

Model			Unit	CPD10	CPD15	CPD20	CPD25	CPD30
Module				Curtis Control	Curtis Control	Curtis Control	Curtis Control	Curtis Control
Rated Capacity			kg	1000	1500	2000	2500	3000
Load Center			mm	500	500	500	500	500
Operator Type				SEATED	SEATED	SEATED	SEATED	SEATED
Lift height			mm	3000	3000	3000	3000	3000
Free Lift			mm	125	125	160	160	155
Tilt angle (Front/Rear)				6° / 12°	6° / 12°	6° / 12°	6° / 12°	6° / 12°
Overhead Length		without fork	mm	1975	1980	2360	2390	2565
		with fork	mm	2895	2900	3325	3460	3635
Overhead Width		outboard	mm	1070	1070	1180	1180	1255
		frame	mm	1070	1070	1150	1150	1225
Height		Mast Drop	mm	1995	1995	1990	1990	2065
		Front Wheel Overhead	mm	2080	2080	2180	2180	2200
Minimum Turning radius			mm	1950	1950	2300	2320	2250
Overhang (front)			mm	410	410	485	485	498
Overhang (back)			mm	319	349	395	425	/
Inside Cab height			mm	1015	1015	1015	1015	1005
Minimum Intersecting aisle			mm	1850	1885	2320	2320	2400
Speed	Max. Driving Speed	With Load	km/h	13,5	13	11,5	11	13
		Without Load	km/h	15	15	15	15	15
	Lifting	With Load	km/h	235	235	272	257	280
		Without Load	km/h	300	300	430	427	360
	Lowering	With Load	mm/s	460	460	460	460	475
		Without Load	mm/s	430	430	430	430	425
Max. Drawbar Pull		With Load/Without Load	kN	18.5/8.9	18.5/8.9	11.2/9.2	11.2/8.6	11.2/10.2
Max. Gradeability (Loaded)		With Load/Without Load	% (fan)	19/15	19/15	19/10	19/10	20/10
Weight			kg	2600	2900	4150	4460	4960
Tyre	Specifications	Front	mm	6.50-10-10PR	6.50-0-10PR	7.00-12-12PR	7.00-12-12PR	28x9-15-12PR
		Back	mm	5.00-8-10PR	5.00-8-10PR	6.00-9-10PR	6.00-9-10PR	6.50-10-10PR
Wheelbase			mm	1250	1250	1500	1500	1700
Tread		Front	mm	890	890	980	970	1000
		Back	mm	920	920	950	495	970
Turning Radius		Low-water mark (mast)	mm	105	105	80	84	125
		Frame	mm	110	110	125	130	140
Service Brake				HP	HP	HP	HP	HP
				MH	MH	MH	MH	MH
Battery	Voltage		V	48	48	48	48	80
	Capacity			400/480	400/480	620	620	500
Motor Running		Model		XQ-5T	XQ-5T	XQ-8-1T	XQ-8-1T	XQ-10T
Rated Output			kw/rpm	5	5	8	8	10
Transmission		Type		PS/M	PS/M	PS/M	PS/M	PS/M
Number of Speeds				1 / 1	1 / 1	1 / 1	1 / 1	1 / 1

CPD30

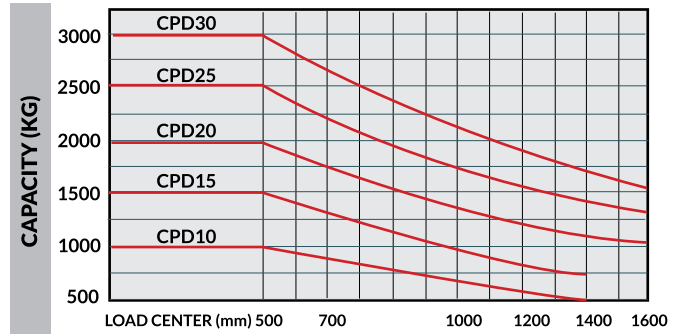


SIDE VIEW



VERTICAL VIEW

LOAD CURVE



YOU WILL NOT ONLY FEEL THE DIFFERENCE BUT SEE THE RESULTS!

2-3.5 TON PETROL + LPG FORKLIFT PERFORMANCE PARAMETER

Model			Unit	CPQD20	CPQD25	CPQD30	CPQD35
Rated Capacity			kg	2000	2500	3000	3000
Load Centre			mm	500	500	500	500
Operator Type				SEATED	SEATED	SEATED	SEATED
Lift height			mm	3000	3000	3000	3000
Free Lift			mm	240	240	175	240
Tilt angle (Front/Rear)				6° / 12°	6° / 12°	6° / 12°	6° / 12°
Overhead Length			mm	2505	2580	2680	2745
Overhead Width			mm	1150	1150	1150	1150
Overhead height fork lowered (Up Right)			mm	1995	1995	2065	2065
Overhead height (Inside of forks)			mm	4030	4030	4030	4030
Overhead height			mm	2070	2070	2070	2070
Outside Turning Radius			mm	2170	2230	2420	2420
Overhang (front)			mm	485	485	498	498
Minimum Intersecting aisle			mm	1920	2000	2120	2120
Speed	Max. Driving Speed	With Load	km/h	19,5	19,5	19,5	19,5
		Without Load	km/h	20	20	20	20
	Lifting	With Load	mm/s	500	500	470	500
		Without Load	mm/s	530	530	520	530
	Lowering	With Load	mm/s	550	550	550	550
		Without Load	mm/s	540	540	520	540
Max. Drawbar Pull		With Load/Without Load	kN	11.5/9.1	11.2/8.6	11.2/10.2	15/8.6
Max. Gradeability (Loaded)		With Load/Without Load	% (fan)	20	18	15	20
Weight			kg	3400	3650	4410	4790
Tyre	Specifications	Front	mm	7.00 - 12 - 12PR	7.00 - 12 - 12PR	28x9 - 15 - 12PR	28x9 - 15 - 12PR
		Back	mm	6.00 - 9 - 10PR	6.00 - 9 - 10PR	6.50 - 10 - 10PR	6.50 - 10 - 10PR
Wheelbase			mm	1600	1600	1700	1700
Tread	Front		mm	970	1000	1000	1000
	Back		mm	970	970	970	970
Turning Radius	Low-water mark (mast)		mm	110	110	110	110
	Frame		mm	115	115	115	115
Service Brake				HP	HP	HP	HP
				MH	MH	MH	MH
Battery	Voltage/Capacity		V/AH	12 / 100 / 20h	12 / 100 / 20h	12 / 100 / 20h	12 / 100 / 20h
Engine	Model			GQ4Y	GQ4Y	GQ4Y	GQ4Y
	Rated Output		kw/rpm	37 / 2500	37 / 2500	37 / 2500	37 / 2500
	Torque		Nm/rpm	148 / 1300	148 / 1300	148 / 1300	148 / 1300
	Number of Cylinders			4	4	4	4
	Tank Capacity		L	52	52	52	52
Transmission		Type		PS/M	PS/M	PS/M	PS/M
Number of Speeds				1 / 1	1 / 1	1 / 1	1 / 1

Special features

POWERFUL ENGINE

All engine components are high quality and are manufactured utilising the latest and most advanced technology.

Our engines offer:

- a) Higher torque, better acceleration, increased travelling and lifting speed.
- b) Low fuel consumption rate, environmentally friendly.
- c) Reliability and long service life.
- d) Easy maintenance - the engine adopts a dry-type cylinder liner structure. This means the cylinder liner is not in direct contact with water. In the event of damage, it is easy to replace the cylinder liner, thereby reducing repair costs.
- e) Bosch fuel system type pump and injectors.
- f) Re-heating system which enables better cold-start performance in cold weather making it suitable for use in harsh working conditions.
- g) Spare parts are universal and can be purchased and replaced, thereby reducing maintenance costs.
- h) The JAC engine of choice is the Xinchang engine renowned for its reliability, durability, power and low fuel consumption.

* We also offer the following brands: Isuzu, JAC, Kubota, Nissan, GM - these engines will be at an additional cost.

JAC is in possession of 550 pieces of manufacturing and testing equipment, including 49 pieces of advanced equipment such as TOSHIBA-BSF-150(B)NC machining centre, co-ordinate measuring machines, NC flame cutting machines, plasma cutting and automatic welding machines. This state-of-the-art equipment, coupled with highly trained staff and a world class quality management system, ensures JAC achieves high production capacity of unique heavy industrial structural components.

STEERING AXLE

Utilises horizontal cylinder with imported oil seal. This ensures easy maintenance. The rear axle has dampers making operation of the forklift truck comfortable.

FLEXIBLE TRANSMISSION DEVICE

- Reduced impact speed and vibration, automatic parking brake.
- Reduced size of the gear results in fuel savings.
- Improved pumping efficiency extends the oil life.

OIL CYLINDER AND ANTI VIBRATOR

Steering bridge EQUIOS with oil cylinder and anti-vibrator. This enhances turning, flexibility and stability.

REAR LIGHT DESIGN

Ensures high visibility.

EASILY ACCESSIBLE OPERATING SYSTEM

Well insulated from heat.



We also offer the following products and services

We are aware that for some businesses, forklift rentals are the more cost effective option. We promise only powerful, reliable and durable electric, diesel, gas or petrol forklifts. We are so confident of our products that we include delivery and maintenance with any forklift rental. Whether you need it on a temporary, permanent basis or once off, we offer the rent a forklift option especially for you.

We offer forklifts from 1.8 to 10 tons for days, weeks, months or years and we are on hand if you have an emergency.

The JAC Forklift range includes:

1-1.8 Ton Diesel Forklifts - Models in this range include:

JAC CPCD 10, JAC CPCD 18

2-3.5 Ton Diesel Forklifts - Models in this range include:

JAC CPCD 20, JAC CPCD 25, JAC CPCD 30, CPCD 35

4-4.5 Ton Diesel Forklifts - Models in this range include:

JAC CPCD 40, JAC CPCD 45

5-10 Ton Diesel Forklifts - Models in this range include:

JAC CPCD 50, JAC CPCD 60, JAC CPCD 70, JAC CPCD 80, JAC CPCD 100

JAC forklifts have many options available, i.e. solid tyres, pneumatic tyres, double tyres, extra length forks, sideshift, two or three stage masts, container masts and Euro II super low emission engines, to name just a few.

JAC forklift spares

We stock all the forklift spares you require. These powerful, durable and reliable forklift spares include air filters, oil filters, fuel filters, gearbox filters, radiators, radiator hoses, water pumps, alternators, starters, belts, tyres, starter motors, bearings, mast parts, cylinders and everything else you will ever need. Spares are also available for A490 engines. Any parts not in stock will be immediately sourced. That is our promise!

Servicing

Our professionally trained technicians offer efficient and thorough forklift servicing for any type and size of JAC forklifts.

Other related products & services

WITH ATTACHMENT AND NON-STANDARD FORKLIFTS



ELECTRIC PALLET TRUCK



ELECTRIC TRACTOR



ELECTRIC TOW TRACTOR



ELECTRIC STACKER



ROUGH TERRAIN



FORK EXTENSIONS - MAIN SPECIFICATIONS

ITEM NUMBER	FIT FORK WIDTH (mm)	LENGTH (mm)	STEEL THICKNESS (mm)
FE6045	102	1524	6
FE7245	102	1829	6
FE6055	127	1524	6
FE6355	127	1600	6
FE7255	127	1829	6
FE8455	127	2134	6
FE6365	152	1600	6
FE7265	152	1829	6
FE8465	152	2134	6
FE8445T	102	2134	8
FE9645T	102	2438	8
FE5455T	127	2134	8
FE9655T	127	2438	8
FE8645T	152	2134	8
FE9665T	152	2438	8

ALSO AVAILABLE:

- Cherry Picker
- Side shift
- Ramps

Tyre options:

- Solid
- Pneumatic

Various mast options:

- Container mast
- High lift
- Duplex
- Triplex

About Avir and JAC Forklifts

Avir (Pty) Ltd is the sole agent for JAC forklifts, Kaishan Compressors and other industrial related products, specialising in the importation, servicing and distribution thereof.

Why JAC Forklifts?

Avir initially imported fifty JAC forklifts for our own use in 2007. We deliberately sourced a forklift offering high quality, great durability, long service life and competitive pricing and were very impressed with the low service and maintenance costs, coupled with high reliability. Having built a relationship with JAC Heavy-Duty Construction Machine Company (JAC), we became the sole agents of JAC forklifts, providing the South African Market with a strong contender in the material handling sector at affordable prices.

About JAC

JAC Heavy-Duty Construction Machine Company, a subsidiary of JAC Motors Group, was founded in 2003. JAC is an ISO9001 certified forklift truck manufacturer, specialising in a variety of products, including diesel, petrol, electrical and gas forklift trucks, electric stackers, electric tow tractors, excavators, and other heavy duty machinery. In order to increase the production capacity, JAC have established a production base that occupies an area of 133,000 square meters and is equipped with over 550 pieces of production and inspection equipment. JAC Motors Group manufactures over 10,000 pieces of material handling equipment per year.

The JAC forklift is sought after in many countries and regions, such as India, Russia, the Philippines, Saudi Arabia, Libya, Tunisia, Italy, Australia, Portugal, Venezuela, Algeria, and Afghanistan, to name but a few.

The Avir Service Promise

At Avir we understand that a forklift truck will only make money for your business when it is in action and we therefore place great importance on customer service and efficient spare parts supply. JAC forklift trucks deliver peak productivity with minimum downtime and reliability is built into every product model. We offer a one year or 1500 hour warranty to give you complete peace of mind. Avir has a rental fleet which can be hired on a fully maintained basis.