

# CPCD30-35

Diesel Pneumatic Tire Forklifts



The informative display is mounted on the tilting steer column and features: fuel level gauge, engine coolant temperature gauge, hour meter, turn signal indicators, battery charging fault, engine oil pressure warning and glow plug indicator (diesel models).

### EXTRAS

The standard light package includes two front combination flood/turn signal lights and rear turn/brake/back-up lights. Rear view mirrors are also included as standard equipment.

### A STRONG FOUNDATION. A STRONG FUTURE.

LiuGong was founded in 1958 in Liuzhou, China. Since then, we have become one of the world's most respected, premier heavy equipment and industrial equipment manufacturers. LiuGong engineers simple, serviceable designs that are reliable and remarkably durable.

Today, LiuGong employees over 13,000 employees worldwide and has dealers across six continents in more than 77 countries.

When you purchase a LiuGong machine, you get an easy to own, easy to maintain piece of equipment and you join forces with a company that has spent the past 50 years dedicating itself to making your job easier. Learn more about LiuGong at [www.liugong.com](http://www.liugong.com)

### LIUGONG SERVICE AND SUPPORT, LIKE NO OTHER.

We don't just provide a world-class machine; we provide all the service and support you need. With over 880 sales outlets, 115 dealers, 17 manufacturing facilities, 10 regional parts depots and nine global offices located strategically throughout the world we ensure rapid replacement of parts and servicing of equipment. We have all your local service and support needs covered.

With LiuGong, you know you'll get the personal attention you deserve because you don't have time for anything less.

Contact your local LiuGong Forklift dealer for more information.

### DRIVELINE

Two engine choices:

- **Xinchai A490BPG 4-cylinder 2.5L diesel engine (36.8kW)**  
Proven, cost effective engine suitable for most applications
- **Isuzu C240PKJ 4-cylinder 2.4L diesel engine (36.5kW)**  
Renowned engine popular with discerning users

Mechanically controlled power-shift transmission with spin-on filter. The clamshell cover allows for easy service access to the engine compartment. (4)

Single piece drive axle housing provides durability and leak resistant mounting for the floating driveline.

### CHASSIS

Open step, full rubber floor mat and spacious foot room allow for easy access and comfortable operation for the operator. (1)

Heavy duty fabricated steer axle features hydrostatic steering and tapered roller bearings for ease of operation and long service life. (2)

### MAST

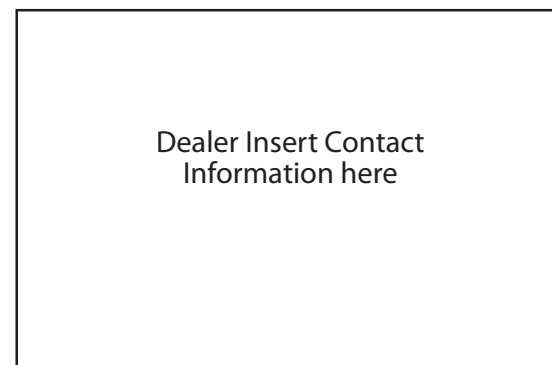
A variety of masts are available, including standard two-stage, full-free two-stage and full-free three-stage masts. The all new three stage mast which features excellent forward visibility due to low profile primary cylinder design, single lift chain and wide channel spacing. Secondary lift chains and auxiliary hydraulics are mounted at 90 degrees behind the channels so to not interfere with visibility through the mast. (3)

The mast cylinders feature internal drain lines and hydraulic cushioning for smooth, quiet operation. The fork carriage and mast channels have large side thrust rollers for strength, high reliability and are located for easy service.

### OPERATOR COMPARTMENT

The static vinyl seat allows for good operator comfort while the cowl mounted hydraulic controls combines comfort and easy service access.

Specifications and designs are subject to change without notice. Machines shown may include optional equipment.



# CPCD30-35

Diesel  
Pneumatic Tire Forklifts



Model	Capacity @ 500mm LC	Rating @ 24" LC	Fuel Type	Engine
CPCD30 CPCD30W	3,000 kg	6,000 lbs	Diesel	Xinchai A490BPG 2.5L Isuzu C240PKJ 2.4L
CPCD35	3,000 kg	6,000 lbs	Diesel	Xinchai A490BPG 2.5L
CPCD35W	3,500 kg	7,000 lbs	Diesel	Isuzu C240PKJ 2.4L

América do Norte:  
LiuGong Forklift Americas  
Katy, Texas, USA  
E-mail: [lifts@liugongna.com](mailto:lifts@liugongna.com)

Site: [www.liugongna.com](http://www.liugongna.com)

América Latina:  
LiuGong Latin America  
Belo Horizonte, MG, Brasil  
E-mail: [info@liugongla.com](mailto:info@liugongla.com)

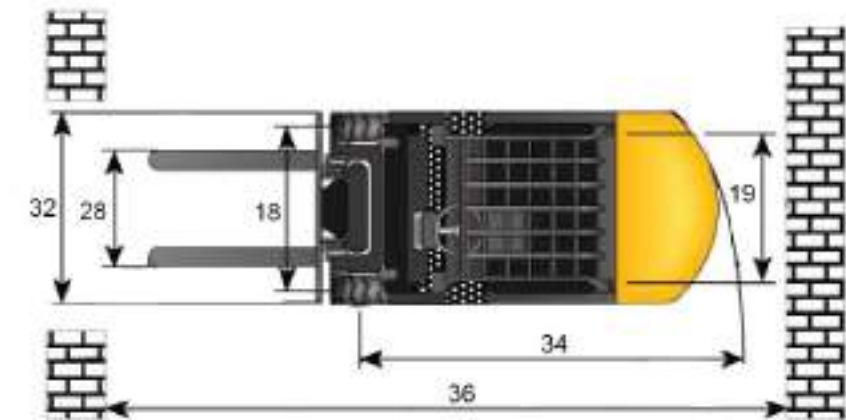
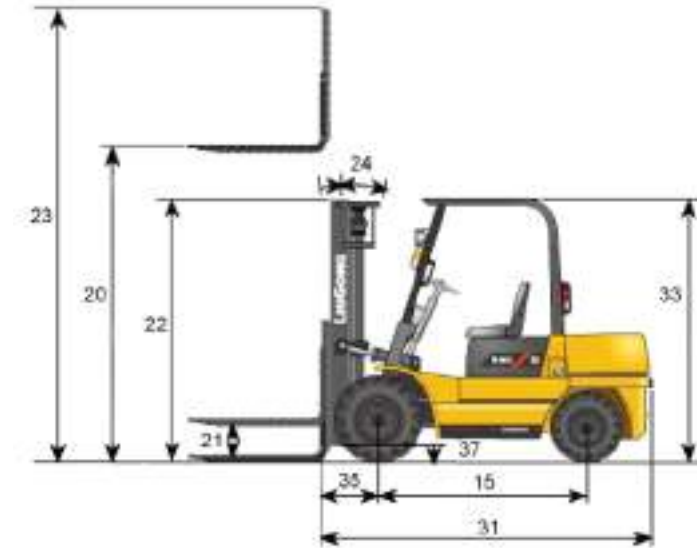
Site: [www.liugongla.com](http://www.liugongla.com)

CPCD30-35-Dec11-Eng



[www.liugong.com](http://www.liugong.com)

General	1	Make		LiuGong CPCD30		LiuGong CPCD30W		LiuGong CPCD35		LiuGong CPCD35W		
	2	Model		Diesel		Diesel		Diesel		Diesel		
Weights	3	Power Type		Imperial	Metric	Imperial	Metric	Imperial	Metric	Imperial	Metric	
	4	Unit of Measure		Sit-Down Rider		Sit-Down Rider		Sit-Down Rider		Sit-Down Rider		
Mast	5	Operator Type		6000		3000		7000		3500		
	6	Base Capacity	@ rated load center	lbs [kg]	6000	3000	6000	3000	7000	3500	7000	3500
	7	Load Center		in [mm]	24.0	500	24.0	500	24.0	500	24.0	500
	8	Service Weight	unloaded	lbs [kg]	9612	4360	9612	4360	10053	4560	10053	4560
	9	Axle Load	loaded, front	lbs [kg]	14550	6600	14550	6600	16118	7311	16118	7311
10	loaded, rear		lbs [kg]	1764	800	1764	800	1739	789	1739	789	
11	unloaded, front		lbs [kg]	4034	1830	4034	1830	3959	1796	3959	1796	
12	unloaded, rear	lbs [kg]	5666	2570	5666	2570	6182	2804	6182	2804		
Tires	13	Tire Type		Pneumatic		Pneumatic		Pneumatic		Pneumatic		
	14	Wheels	front / rear	2 / 2		2 / 2		2 / 2		2 / 2		
	15	Wheelbase	in [mm]	66.9	1700	66.9	1700	66.9	1700	66.9	1700	
	16	Tire Size	front	28x9-15		28x9-15		28x9-15		28x9-15		
	17		rear	6.50x10		6.50x10		6.50x10		6.50x10		
18	Tread Width	front	39.4	1000	39.4	1000	39.4	1000	39.4	1000		
19		rear	38.6	980	38.6	980	38.6	980	38.6	980		
Chassis	20	Max. Fork Height	with std 2-stage mast	in [mm]	118.1	3000	118.1	3000	118.1	3000	118.1	3000
	21	Freelift	with std 2-stage mast	in [mm]	5.3	135	5.3	135	5.3	135	5.3	135
	22	Height, Upright Lowered	with std 2-stage mast	in [mm]	83.6	2124	83.6	2124	83.6	2124	83.6	2124
	23	Height, Upright Extended	with std 2-stage mast	in [mm]	162.2	4120	162.2	4120	162.2	4120	162.2	4120
	24	Mast Tilt, Fwd/Back	with std 2-stage mast	deg	6° / 12°		6° / 12°		6° / 12°		6° / 12°	
	25	Carriage	ISO Class		III		III		III		III	
	26	Fork Spread	width	in [mm]	43.3	1100	43.3	1100	43.3	1100	43.3	1100
	27		minimum	in [mm]	9.8	250	9.8	250	9.8	250	9.8	250
	28	maximum	in [mm]	42.5	1080	42.5	1080	42.5	1080	42.5	1080	
	29	Fork Dimensions	T x W x L	in	1.8 x 4.9 x 42.1		1.8 x 4.9 x 42.1		1.8 x 4.9 x 42.1		1.8 x 4.9 x 42.1	
30	mm		mm	45 x 125 x 1070		45 x 125 x 1070		45 x 125 x 1070		45 x 125 x 1070		
Performance	31	Length to Fork Face	with std 2-stage mast	in [mm]	105.3	2674	105.3	2674	107.6	2734	107.6	2734
	32	Overall Width		in [mm]	49.8	1266	49.8	1266	49.8	1266	49.8	1266
	33	Overhead Guard Height		in [mm]	83.7	2125	83.7	2125	83.7	2125	83.7	2125
	34	Turning Radius	minimum outside	in [mm]	94.5	2400	94.5	2400	96.9	2460	96.9	2460
	35	Fork Overhang	with std 2-stage mast	in [mm]	19.5	496	19.5	496	19.5	496	19.5	496
	36	Right Angle Stack	add load length and clearance	in [mm]	114.0	2896	114.0	2896	116.4	2956	116.4	2956
	37	Ground Clearance	minimum loaded	in [mm]	5.3	135	5.3	135	5.3	135	5.3	135
	38		center of wheelbase	in [mm]	5.9	150	5.9	150	5.9	150	5.9	150
Systems	39	Travel Speed	loaded	mph[km/h]	11.8	19	11.8	19	11.8	19	11.8	19
	40		unloaded	mph[km/h]	11.8	19	11.8	19	11.8	19	11.8	19
	41	Lift Speed	loaded	fpm[m/s]	86.6	0.44	86.6	0.44	78.7	0.40	78.7	0.40
	42		unloaded	fpm[m/s]	94.5	0.48	94.5	0.48	90.6	0.46	90.6	0.46
	43	Lower Speed	loaded	fpm[m/s]	90.6	0.46	90.6	0.46	94.5	0.48	94.5	0.48
	44		unloaded	fpm[m/s]	85.6	0.44	85.6	0.44	85.6	0.44	85.6	0.44
	45	Max. Drawbar Pull	loaded	lbs [kg]	3710	1683	3593	1630	3710	1683	3593	1630
	46	Max. Gradeability	loaded / unloaded	%	20 / 15		20 / 15		20 / 15		20 / 15	
Systems	47	Brakes	service		Foot / Hyd		Foot / Hyd		Foot / Hyd		Foot / Hyd	
	48		parking		Hand / Mech		Hand / Mech		Hand / Mech		Hand / Mech	
	49	Engine	manufacturer		Xinchai		Isuzu		Xinchai		Isuzu	
	50		model		A490BPG		C240PKJ		A490BPG		C240PKJ	
	51	emission compliance		China Tier II		China Tier II		China Tier II		China Tier II		
	52	Transmission	cylinders		4		4		4		4	
	53		displacement	liters	2.54L		2.37L		2.54L		2.37L	
	54		rated power	HP[kW]	49.3	36.8	48.9	36.5	49.3	36.8	48.9	36.5
	55			rpm	2650		2500		2650		2500	
	56		max. torque	lb/ft[N/m]	109	148	102	137.7	109	148	102	137.7
	57	rpm		1850		1800		1850		1800		
	58	type			Powershift		Powershift		Powershift		Powershift	
	59		speeds, fwd/rev		1 / 1		1 / 1		1 / 1		1 / 1	
	60	Hydraulic Pressure	system	psi[bar]	2625	181	2625	181	2625	181	2625	181
61	attachment		psi[bar]	2625	181	2625	181	2625	181	2625	181	



Note: Dimension and performance values are subject to change without notice. Performance specs are nominal values and may vary by machine.

**Available Options:**

Contact your local LiuGong dealer for options available to optimize your LiuGong forklift to your application. Some of the factory options available are listed here.

- Standard two-stage, full-free two-stage and three-stage
- masts up to 6.0M lift height
- Sideshifter carriages
- Dual function auxiliary hydraulic valve and hosing
- Variety of fork styles and lengths
- Solid pneumatic tires
- Warning lights
- Fire extinguisher