



Spare Parts Catalogue

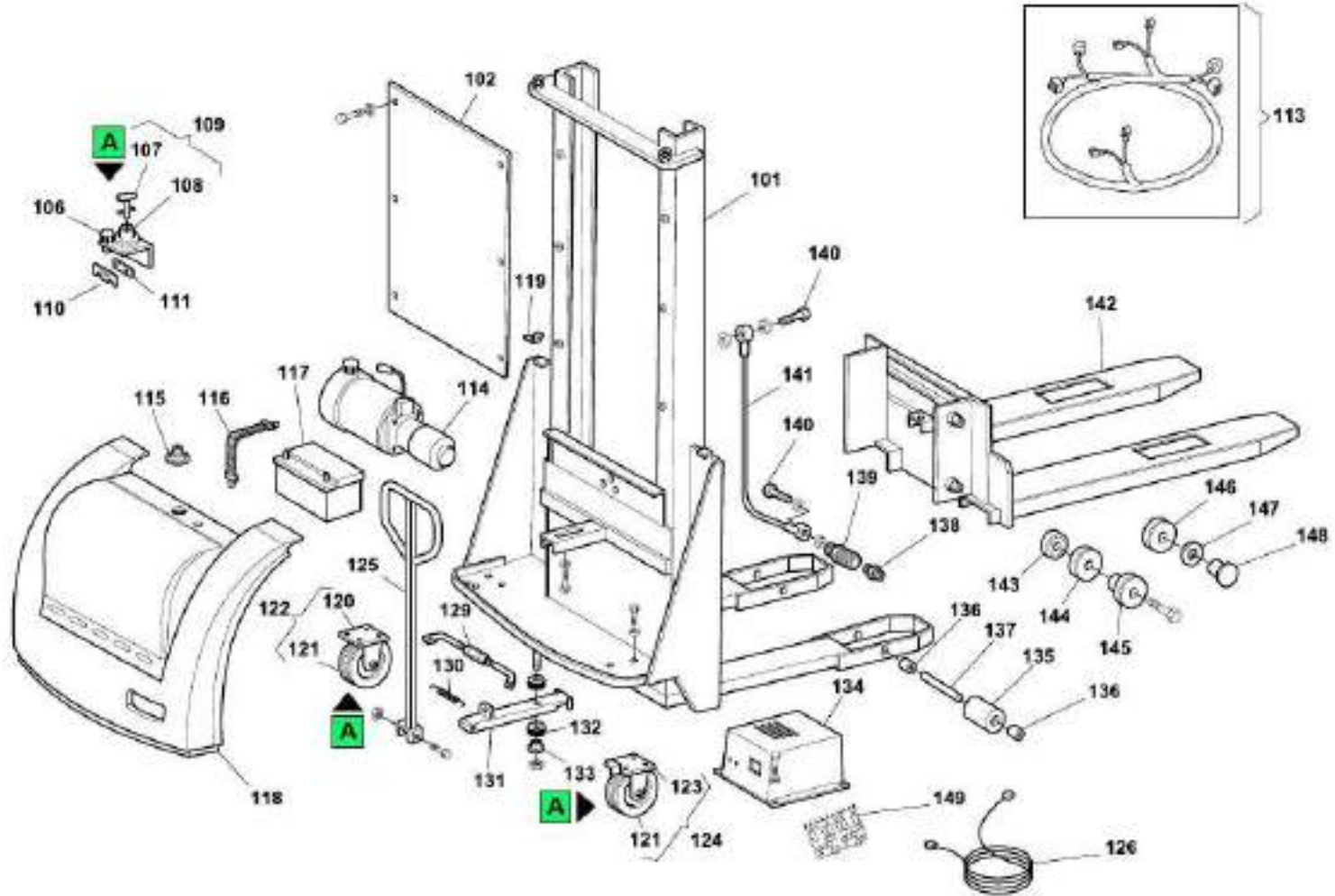
# TX12-29

Handling systems | **Deichselstapler**

Valid for machine code: HA612000000

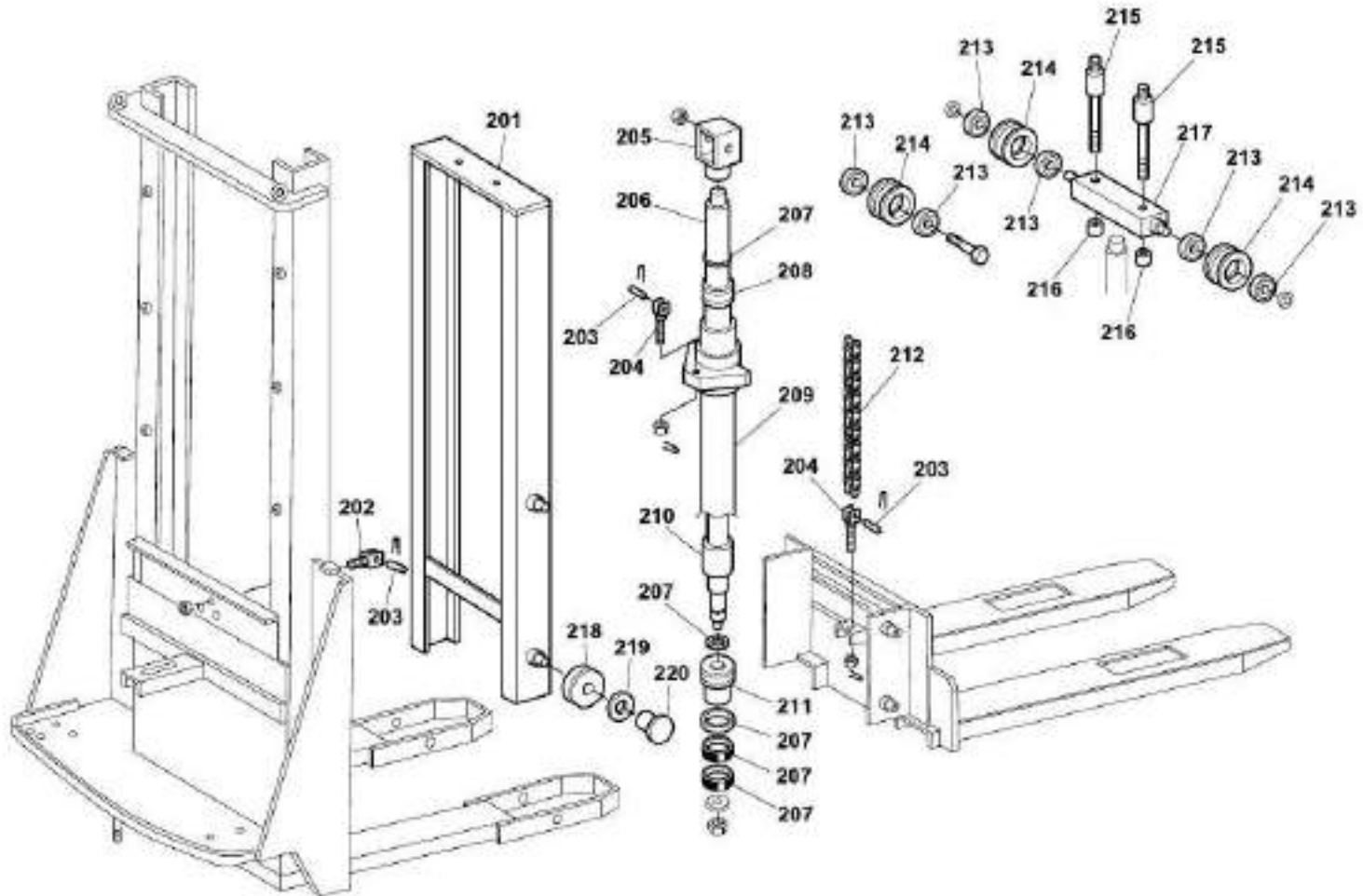
Revision: 0 (4/2007)

Copyright 2010 Pramac Group, All Rights Reserved.

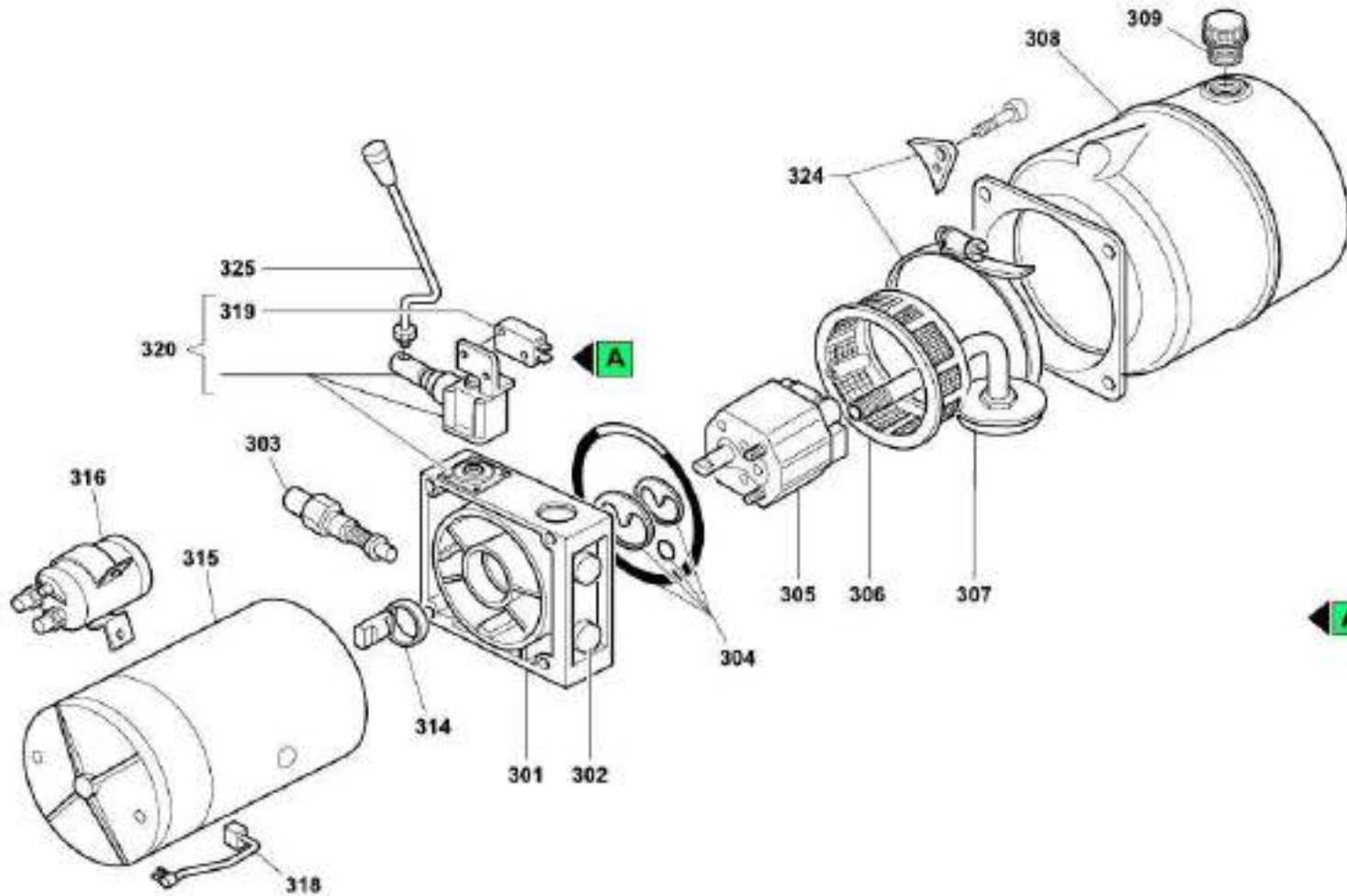



Position	Part Number	Description	Notes
101	V0201050123-PRAMAC	Telaio Tx 12/29 Vern.verde Pramac	-
102	S0310018006	Plexiglass Guard Tx10/20-16 Tx12/29-35 Gx12/29-35-38 Gx10/16 Fx12/29-35-38 G10 Vers.2	-
106	G070625	Fuse Holder Screw Cap + Fuse 6.3a	-
107	G075220	Key X Battery Disconnecting Switch	-
108	G075221	Battery Disconnecting Switch Block	-
109	G075102	Battery Disconnecting Switch 1 Pole	-
110	G077540	Fuse 160a (rfm Reghel)	-
111	G070603	Fuse Holder X Fuse 160amp	-
113	S0208020116	Electric Wiring Cables Tx	-
114	▲ G081021	Hydraulic Unit 222353003 Up100 (tx12- Gx10-12)	Gültig für Produkte hergestellt bis 21/09/2003
	▲ G081029	Central S3010001.000 X Tx12- Gx10/12	Gültig für Produkte hergestellt von 22/09/2003 zu 02/10/2007
	▲ G081035	Hydraulic Power Pack '06 Tx12-gx10/12	Gültig für Produkte hergestellt von 02/10/2007
115	G052002	Rubber Bellows (for Stackers)(0-rab/010)	-
116	G000111	Battery Elastic Webbing Tx12	-
117	G099300024	Battery 74ah-12v	-
118	S0200018012	Hood Guard Tx 12	-
119	G034903	Cage Nut M8 Zn	-
120	G053402	Swivelling Heavy Stand For Wheel D200x50	-
121	S0002010169	Ruota Gomma D200 (model No. Ea200bh-65a Lifter) +cuscinetti	-
	S0014010233	Polyurethane Wheel /all D200x50 Lag + Bearings 6204	-
122	G053103	Rubber Wheel D200x50 Heavy Support	-
	G053306	Polyurethane Wheel C D200x50 Heavy Support	-
123	G053401	Swivelling Heavy Stand For Wheel D200x50 + Brake	-
124	G053102	Rubber Wheel D200x50 Heavy Support + Brake	-
	G053305	Polyurethane Wheel C D200x50 Heavy Support With Brake	-
125	S0204020113	Handle Painted Tx 10-12	-
126	G079311	Battery Charger Cable L1500mm Schuko Socket	-
129	▲ S0202010054	New Code P0br00001	Gültig für Produkte hergestellt bis 31/01/2001
	▲ P0BR00001	Handle Linkage Complete Arm Tx10	Gültig für Produkte hergestellt von 01/02/2001
	▲ S0202010077	-	Gültig für Produkte hergestellt bis 31/01/2001
	▲ P0BR00002	Handle Linkage Complete Arm Tx12	Gültig für Produkte hergestellt von 01/02/2001
130	G001109	Traction Spring P.49 Hooks At 90 Degrees.	-
131	S0202010080	Handle X Tx 12 Painted	-
132	S0202010031	Handle Bearing Tm	-
133	S0204025010	Lower Large Washer Tmc	-
134	G099300058	Open Frame Battery Charger 13a-24v X Tx12-gx10	-
135	S0202020029	Nylon Roller D82x70 + Bearings	-

Position	Part Number	Description	Notes
136	S0302016026	Roller Spacer Sing.tx-gx (l.15) Zinc	-
137	S0302015025	Clevis Pin Tx/gx/lx "burnished"	-
138	G084103	Male/male Adaptators 3/8"	-
139	G085003	Flow Control Valve 3/8"	-
140	G084001	Screw Perforate (4 Holes ) 3/8" L 29 -0,5/0 Ch22	-
141	G083001	Tube R1at 3/8"	-
142	V0307050081-9005	Complete Fork Painted Tx/gx/fx 12/25-38	-
143	G010151	Bearing 6305 (25-62-17)	-
144	S0207016006	Sliding Roll Fork Tmc 10/16	-
145	S0207018001	Fork Roller Guide Gx/tx	-
146	G019306	Bearing D70 (csf.002)	-
147	G019310	Pushing Disc (10004.102)	-
148	G019309	Side Sliding Block (10002.102)	-
149	PTB00001	Electronic Board For Open Battery Charger Cx Plus/cx/gx10/tx12/gx12	-

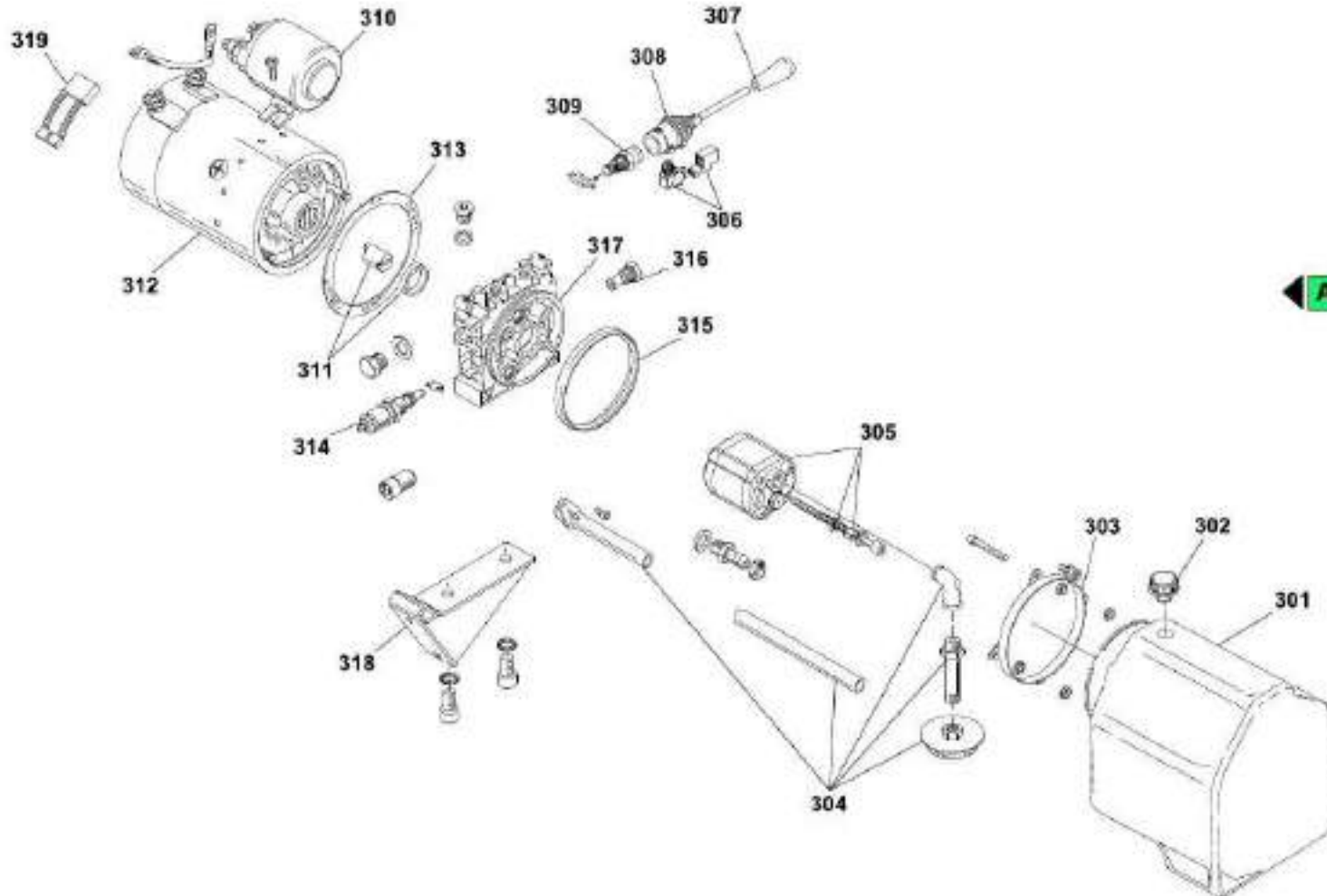


Position	Part Number	Description	Notes
201	S0305010170	Welded Second Stage Tx-gx 12/29	-
202	S0307015015	Short Chain Holder Te-tm-l/vt Zinc Plated	-
203	G062102	Flayer Chain Pin BI546 D6x33	-
204	S0300155003	Chain Holder Stacker 12q Single Chain	-
205	S0306051022	Cast Iron Pulley Holder Te-tm-l Painted	-
206	S0306053018	Piston Rod H2900	-
207	▲ G090005	Gasket Set Fx12/g10/gx12/lr/te/tmc/tx12 Old	Gültig für Produkte hergestellt bis 19/07/2007
	▲ GP90037	Complete Cylinder Gasket Set '06 Fx-gx-tx12 New	Gültig für Produkte hergestellt von 19/07/2007
208	S0206011001	Cylinder Bushing Tmc 10/16-20	-
	S0306041004	Cylinder Nut Ring Te/tm 10-12/29-36	-
209	▲ S000045034	Complete Cylinder '06 Fx-gx-tx12/29	Gültig für Produkte hergestellt von 19/07/2007
	▲ S0306010159	Complete Cylinder Tx-gx 12/29 Painted	Gültig für Produkte hergestellt bis 19/07/2008
210	S0306056017	Cylinder Support L.105 Te-tm	-
211	S0306041008	Piston Te/tm 10-12/29-36	-
212	G062022	Flayer Chain Stub BI544-117p	-
213	▲ G010207	Bearing 6204 Z (20-47-14)	Gültig für Produkte hergestellt bis 26/04/1999
	▲ G010401	Bearing 6204 2rs (20-47-14)	Gültig für Produkte hergestellt von 27/04/1999
214	S0300201034	Chain Pulley Sing. X12q Burnished	-
215	S0306015052	Free Lift Pin L10-I16	-
216	S0306015036	Free Lift Pin Spacer Te-tm	-
217	S0306012072	Double Pulley Holder L16 Painted "1998"	-
218	G019306	Bearing D70 (csf.002)	-
219	G019310	Pushing Disc (10004.102)	-
220	G019309	Side Sliding Block (10002.102)	-
221	S0306055043	Cast Iron Pulley Pin Holder Burnished	-
222	G010403	Bearing 6005 2rs (25-47-12)	-

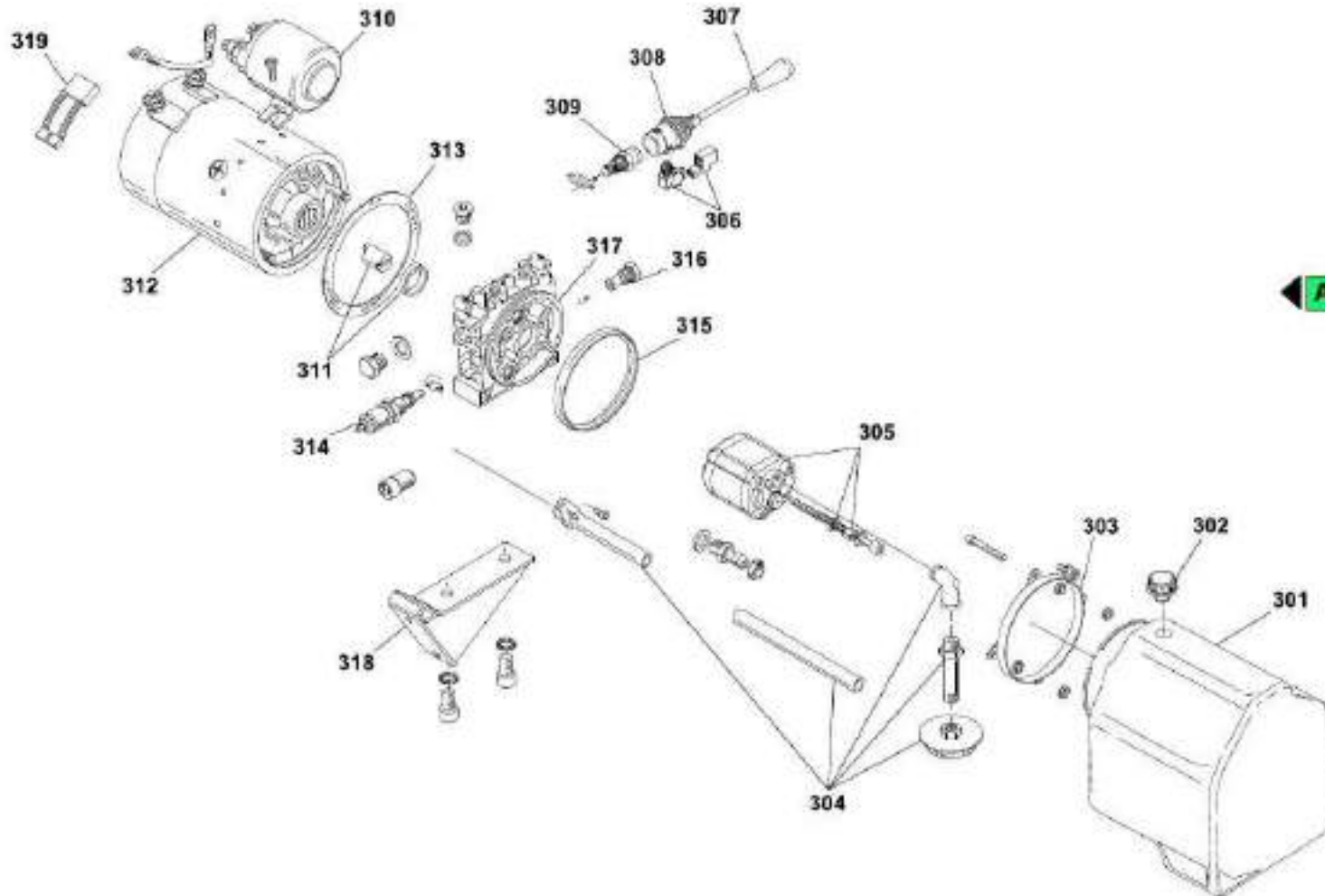


Position	Part Number	Description	Notes
301	G082195	Body Up100 K1g3-06+oil Seal	-
302	G082171	Non Return Valve Rs3/817-03	-
303	G082107	Relief Valve Vm01 Hdm10 T.95-210	-
304	G082165	Body Gasket Set Up100	-
305	G082100	Pump Ap100/1.7 S.409+cop.748220020	-
306	G082090	Filter Conv.150 Micron (757500070)	-
307	G082196	Gruppo A.h105i78-900 250m	-
308	G082228	Tank Up100 P08,or-bbt (673450200)	-
309	G082099	Loading Cap Sf1/2g(hidr.678000310)	-
314	G082158	Joint E145 M.c.c T.e	-
315	G082230	Engine C240ak/y0/d02p 024v 2.2	-
316	G082127	Complete Relay 24v C.c. P.c-e-f-g (ef.)	-
318	G082233	Cable + Brushes 24v	-
319	G082223	Microswitch For Manual Command Up50-up100	-
320	G082224	Valve Zr817/22-tvml + Cap	-
324	G082227	Tank Clamping Set Pl. Up100 6-14l.	-
325	G082232	Lever Stick Al029 Up100	-
999	 G081021	Hydraulic Unit 222353003 Up100 (tx12- Gx10-12)	Gültig für Produkte mit der Seriennummer bis 2003HG001450





Position	Part Number	Description	Notes
301	PCY61214500	Reservoir Bottle	-
302	PCY49154500	Tappo Serbatoio Olio Tx Hydr-app	-
303	PCY25004800	Band For Hydraulic Unit H	-
304	PCY12002	Kit Tubi Tx Hydr-app	-
305	PCY17050006	Hydraulic Unit Pump Hx	-
306	PCY46109900	Microswitch	-
307	PCY49104600	Pomello Centralina Hydr-app	-
308	PCY25005800	Hydraulic Power Pack Complete Lever	-
309	PCY20023000	Valvola Tx10/12	-
310	PCY46113300	Relais 24v 80a Iskra (11250143)	-
311	PCY60410600	Giunto A Penna Per "mc" Con Motore Elettrico 2.05-2.2kw E Pompe Gr.1	-
312	PCY24011600	Control Box Motor	-
313	PCY61200100	Gasket For Hydraulic Unit H	-
314	PCY21000001	Valvola Max 50-210 Bar	-
315	PCY61212400	Hydraulic Unit O-ring Hx	-
316	PCY20020400	Hydraulic Unit Retention Valve Hx	-
317	PCY71013005	Central Flange	-
318	PCY17010067	Piedino Ancoraggio Tx Hydr-app	-
319	PCY00004056	Brush Kit Gx/10/12 Tx12	-
999	G081029	Central S3010001.000 X Tx12 - Gx10/12	Gültig für Produkte mit der Seriennummer ab 2003HG001451



Position	Part Number	Description	Notes
301	PCY61214500	Reservoir Bottle	-
302	PCY49154500	Tappo Serbatoio Olio Tx Hydr-app	-
303	PCY25004800	Band For Hydraulic Unit H	-
304	PCY12002	Kit Tubi Tx Hydr-app	-
305	PCY17050006	Hydraulic Unit Pump Hx	-
306	PCY46109900	Microswitch	-
307	PCY49104600	Pomello Centralina Hydr-app	-
308	PCY25005800	Hydraulic Power Pack Complete Lever	-
309	PCY20023000	Valvola Tx10/12	-
310	PCY46113300	Relais 24v 80a Iskra (11250143)	-
311	PCY60410600	Giunto A Penna Per "mc" Con Motore Elettrico 2.05-2.2kw E Pompe Gr.1	-
312	PCY24011600	Control Box Motor	-
313	PCY61200100	Gasket For Hydraulic Unit H	-
314	PCY21000001	Valvola Max 50-210 Bar	-
315	PCY61212400	Hydraulic Unit O-ring Hx	-
316	PCY20020400	Hydraulic Unit Retention Valve Hx	-
317	PCY71013005	Central Flange	-
318	PCY17010067	Piedino Ancoraggio Tx Hydr-app	-
319	PCY00004056	Brush Kit Gx/10/12 Tx12	-
999	G081035	Hydraulic Power Pack '06 Tx12-gx10/12	-